

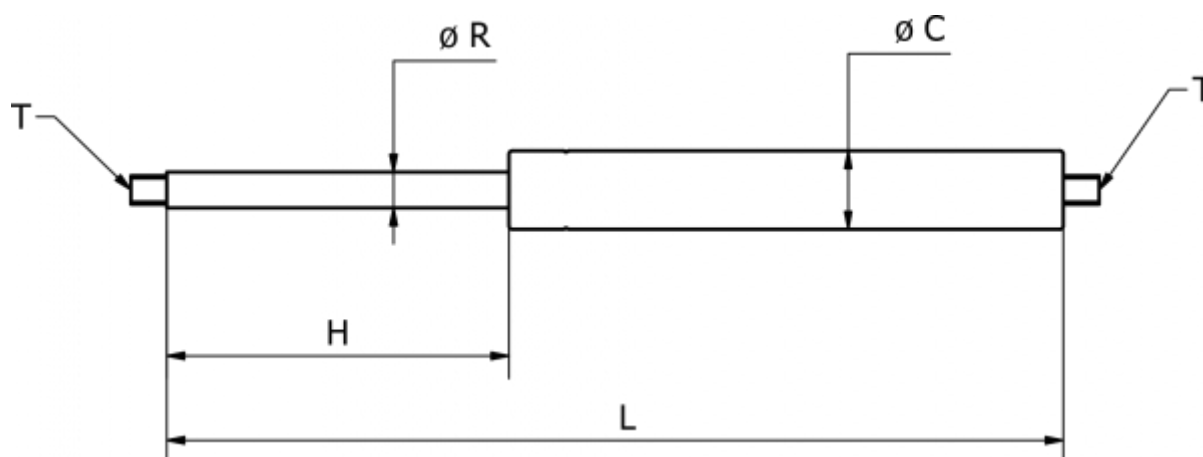
Data Sheet



Article number: 04H081901000500

Description: Stabilus IndustryLine gas spring size 08/19
500N length 245mm, stroke 100mm Type 04H0819500

Measures



C = 19

H = 100

L = 245

R = 8

T = M8 x 10